

(19) World Intellectual Property Organization
International Bureau



(43) International Publication Date
3 April 2003 (03.04.2003)

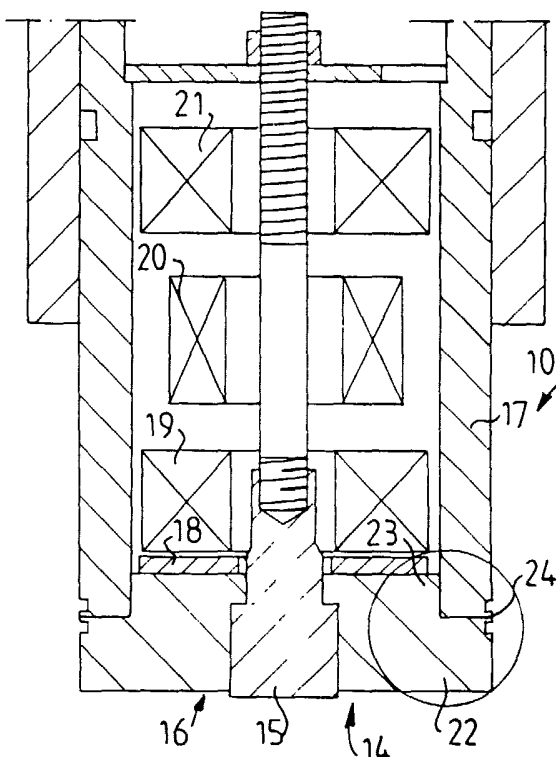
PCT

(10) International Publication Number
WO 03/027607 A1

- (51) International Patent Classification⁷: G01B 7/14, B02C 7/14, D21D 1/30
- (74) Agent: ALBIHNS STOCKHOLM AB; P O BOX 5581, Linnégatan 2, S-114 85 Stockholm (SE).
- (21) International Application Number: PCT/SE02/01734
- (81) Designated States (national): AE, AG, AL, AM, AT, AU, AZ, BA, BB, BG, BR, BY, BZ, CA, CH, CN, CO, CR, CU, CZ, DE, DK, DM, DZ, EC, EE, ES, FI, GB, GD, GE, GH, GM, HR, HU, ID, IL, IN, IS, JP, KE, KG, KP, KR, KZ, LC, LK, LR, LS, LT, LU, LV, MA, MD, MG, MK, MN, MW, MX, MZ, NO, NZ, OM, PH, PL, PT, RO, RU, SD, SE, SG, SI, SK, SL, TJ, TM, TN, TR, TT, TZ, UA, UG, US, UZ, VC, VN, YU, ZA, ZM, ZW.
- (22) International Filing Date: 24 September 2002 (24.09.2002)
- (25) Filing Language: English
- (26) Publication Language: English
- (30) Priority Data: 0103199-6 26 September 2001 (26.09.2001) SE
- (84) Designated States (regional): ARIPO patent (GH, GM, KE, LS, MW, MZ, SD, SL, SZ, TZ, UG, ZM, ZW), Eurasian patent (AM, AZ, BY, KG, KZ, MD, RU, TJ, TM), European patent (AT, BE, BG, CH, CY, CZ, DE, DK, EE, ES, FI, FR, GB, GR, IE, IT, LU, MC, NL, PT, SE, SK, TR), OAPI patent (BF, BJ, CF, CG, CI, CM, GA, GN, GQ, GW, ML, MR, NE, SN, TD, TG).
- (71) Applicant (for all designated States except US): DAPROX AB [SE/SE]; P O Box 120, S-127 23 Skärholmen (SE).
- (72) Inventors; and
- (75) Inventors/Applicants (for US only): ÅKERBLOM, Bengt [SE/SE]; Värby Allé 23, S-143 40 Värby (SE). LÖFQVIST, Bengt [SE/SE]; Nathorstvägen 21 A, S-121 37 Johanneshov (SE).
- Published:
 - with international search report
 - with amended claims

[Continued on next page]

(54) Title: TRANSDUCER FOR DISTANCE MEASUREMENT



(57) Abstract: A transducer (10) for distance measurement, especially between a stator and a rotor in a refiner for paper pulp production, in which the transducer is of the magnetic type and has a tubular casing (17), the one end of which forms a measuring head (14), in which a measuring pole (15) is fitted in a holder (16) which is mounted in the end of the casing (17) and seals this. The holder (16), with a first portion (22) of its axial length, reaches beyond the end of the casing. This first portion (22) and the measuring pole (15) are intended to be able to be worn away to a smaller axial length during use of the transducer, whilst the length of the casing is maintained.

WO 03/027607 A1



For two-letter codes and other abbreviations, refer to the "Guidance Notes on Codes and Abbreviations" appearing at the beginning of each regular issue of the PCT Gazette.