

(19) World Intellectual Property Organization
International Bureau



(43) International Publication Date
19 July 2001 (19.07.2001)

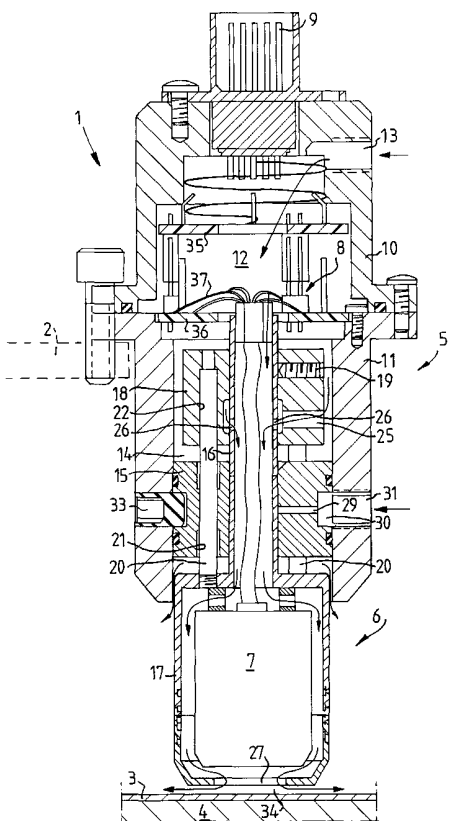
PCT

(10) International Publication Number
WO 01/51882 A1

- (51) International Patent Classification⁷: G01B 7/06, 13/00, 13/06 (74) Agents: LAGMAN, Sven et al.; Albihus Stockholm AB, Box 5581, S-114 85 Stockholm (SE).
- (21) International Application Number: PCT/SE01/00017 (81) Designated States (national): AE, AG, AL, AM, AT, AU, AZ, BA, BB, BG, BR, BY, BZ, CA, CH, CN, CR, CU, CZ, DE, DK, DM, DZ, EE, ES, FI, GB, GD, GE, GH, GM, HR, HU, ID, IL, IN, IS, JP, KE, KG, KP, KR, KZ, LC, LK, LR, LS, LT, LU, LV, MA, MD, MG, MK, MN, MW, MX, MZ, NO, NZ, PL, PT, RO, RU, SD, SE, SG, SI, SK, SL, TJ, TM, TR, TT, TZ, UA, UG, US, UZ, VN, YU, ZA, ZW.
- (22) International Filing Date: 11 January 2001 (11.01.2001)
- (25) Filing Language: Swedish
- (26) Publication Language: English
- (30) Priority Data: 0000105-7 14 January 2000 (14.01.2000) SE (84) Designated States (regional): ARIPO patent (GH, GM, KE, LS, MW, MZ, SD, SL, SZ, TZ, UG, ZW), Eurasian patent (AM, AZ, BY, KG, KZ, MD, RU, TJ, TM), European patent (AT, BE, CH, CY, DE, DK, ES, FI, FR, GB, GR, IE, IT, LU, MC, NL, PT, SE, TR), OAPI patent (BF, BJ, CF, CG, CI, CM, GA, GN, GW, ML, MR, NE, SN, TD, TG).
- (71) Applicant (for all designated States except US): D/A PRODUCTION AB [SE/SE]; Box 120, S-127 23 Skärholmen (SE).
- (72) Inventor; and
- (75) Inventor/Applicant (for US only): ÅKERBLOM, Bengt [SE/SE]; Vårby Allé 23, S-143 40 Vårby (SE). Published: — with international search report

[Continued on next page]

(54) Title: A MEASURING DEVICE IN WHICH A MEASURING HEAD IS MOVABLY SUPPORTED



(57) Abstract: A measuring device (1) has a measuring housing (5) in which a measuring head (6) is movably supported, the measuring housing having at least one connection (13) for the supply of pressurized air for supporting by means of air the measuring head (6) in the measuring housing (5). The measuring head is designed to let out air and to generate an air cushion towards a measuring object (3). On the measuring head (6) there is provided at least one guide element (20) that is extending axially and protrudes into a chamber (12) in the measuring housing (5), said guide element gliding in and being supported by air in a channel (21) in a guide part (15), which forms an end wall to the chamber (12). Also a shaft (16) included in the measuring head extends through and is supported by air in the guide part (15).

WO 01/51882 A1



For two-letter codes and other abbreviations, refer to the "Guidance Notes on Codes and Abbreviations" appearing at the beginning of each regular issue of the PCT Gazette.