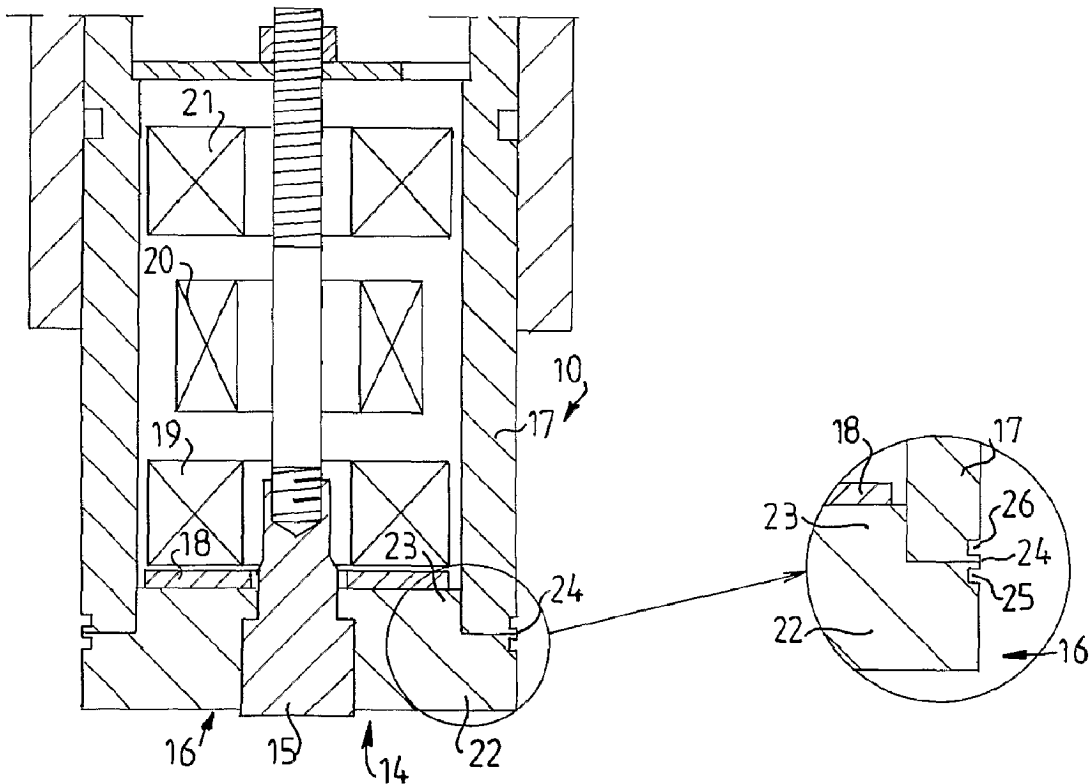




(86) Date de dépôt PCT/PCT Filing Date: 2002/09/24  
 (87) Date publication PCT/PCT Publication Date: 2003/04/03  
 (45) Date de délivrance/Issue Date: 2010/02/02  
 (85) Entrée phase nationale/National Entry: 2003/12/31  
 (86) N° demande PCT/PCT Application No.: SE 2002/001734  
 (87) N° publication PCT/PCT Publication No.: 2003/027607  
 (30) Priorité/Priority: 2001/09/26 (SE0103199-6)

(51) Cl.Int./Int.Cl. *G01B 7/14* (2006.01),  
*B02C 7/14* (2006.01), *D21D 1/00* (2006.01),  
*D21D 1/30* (2006.01)  
 (72) Inventeurs/Inventors:  
 AKERBLOM, BENGT, SE;  
 LOEFQVIST, BENGT, SE  
 (73) Propriétaire/Owner:  
 DAPROX AB, SE  
 (74) Agent: GOWLING LAFLEUR HENDERSON LLP

(54) Titre : TRANSDUCTEUR PERMETTANT DE MESURER UNE DISTANCE  
 (54) Title: TRANSDUCER FOR DISTANCE MEASUREMENT



(57) Abrégé/Abstract:

A transducer (10) for distance measurement, especially between a stator and a rotor in a refiner for paper pulp production, in which the transducer is of the magnetic type and has a tubular casing (17), the one end of which forms a measuring head (14), in which a measuring pole (15) is fitted in a holder (16) which is mounted in the end of the casing (17) and seals this. The holder (16), with a first portion (22) of its axial length, reaches beyond the end of the casing. This first portion (22) and the measuring pole (15) are intended to be able to be worn away to a smaller axial length during use of the transducer, whilst the length of the casing is maintained.