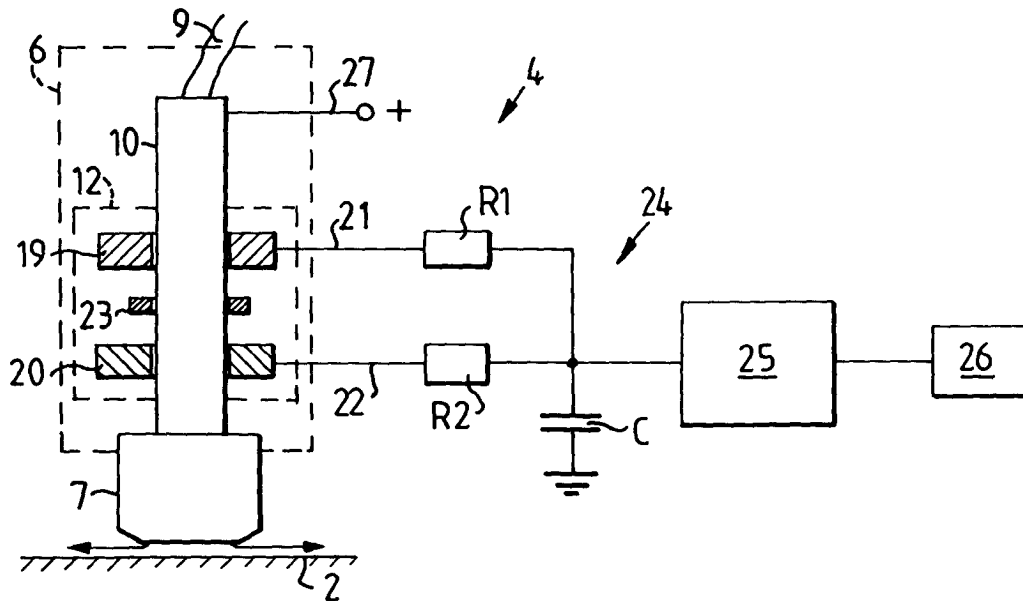




(86) Date de dépôt PCT/PCT Filing Date: 2002/01/23
(87) Date publication PCT/PCT Publication Date: 2002/08/08
(85) Entrée phase nationale/National Entry: 2003/07/11
(86) N° demande PCT/PCT Application No.: SE 2002/000108
(87) N° publication PCT/PCT Publication No.: 2002/061369
(30) Priorité/Priority: 2001/01/23 (0100181-7) SE

(51) Cl.Int.⁷/Int.Cl.⁷ G01B 13/00, G01B 13/06
(71) Demandeur/Applicant:
DAPROX AB, SE
(72) Inventeur/Inventor:
AKERBLOM, BENGT, SE
(74) Agent: GOWLING LAFLEUR HENDERSON LLP

(54) Titre : PROCÉDE ET ARRANGEMENT DESTINES A POSITIONNER UNE TÊTE DE CAPTEUR POUR MESURE SUR UN OBJET EN DEPLACEMENT
(54) Title: METHOD AND ARRANGEMENT FOR POSITIONING A SENSOR HEAD FOR MEASURING WHILE OBJECT IS MOVING



(57) Abrégé/Abstract:

During measurement by means of a measurement arrangement (4) in which a sensor head (7) is axially movable in a sensor housing (6) and is intended, in the measurement position, to rest against a measured object (2) via an air cushion, the orientation of the sensor head in the sensor housing is monitored. When the orientation of the sensor housing deviates by a predetermined value from the normal, the measurement arrangement is temporarily moved a distance away from the measured object and is then returned to the measurement position again for continued measurement, with the sensor head now in the normal position relative to the sensor housing. In such a measurement arrangement, a monitoring device (24) is provided to automatically produce the stated movement of the measurement arrangement.