

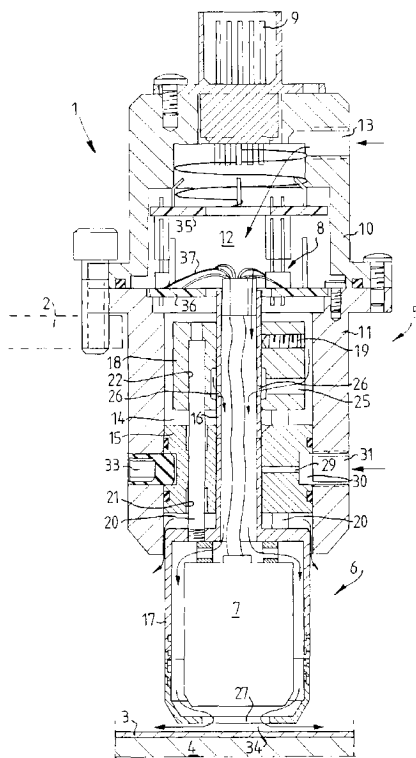


(86) Date de dépôt PCT/PCT Filing Date: 2001/01/11
(87) Date publication PCT/PCT Publication Date: 2001/07/19
(85) Entrée phase nationale/National Entry: 2002/07/05
(86) N° demande PCT/PCT Application No.: SE 2001/000017
(87) N° publication PCT/PCT Publication No.: 2001/051882
(30) Priorité/Priority: 2000/01/14 (0000105-7) SE

(51) Cl.Int.⁷/Int.Cl.⁷ G01B 7/06, G01B 13/06, G01B 13/00
(71) Demandeur/Applicant:
DAPROX AB, SE
(72) Inventeur/Inventor:
AKERBLOM, BENGT, SE
(74) Agent: FETHERSTONHAUGH & CO.

(54) Titre : DISPOSITIF DE MESURE DANS LEQUEL UNE TETE DE MESURE EST MAINTENUE DE MANIERE AMOVIBLE

(54) Title: A MEASURING DEVICE IN WHICH A MEASURING HEAD IS MOVABLY SUPPORTED



(57) Abrégé/Abstract:

A measuring device (1) has a measuring housing (5) in which a measuring head (6) is movably supported, the measuring housing having at least one connection (13) for the supply of pressurized air for supporting by means of air the measuring head (6) in the measuring housing (5). The measuring head is designed to let out air and to generate an air cushion towards a measuring object (3). On the measuring head (6) there is provided at least one guide element (20) that is extending axially and protrudes into a chamber (12) in the measuring housing (5), said guide element gliding in and being supported by air in a

(57) **Abrégé(suite)/Abstract(continued):**

channel (21) in a guide part (15), which forms an end wall to the chamber (12). Also a shaft (16) included in the measuring head extends through and is supported by air in the guide part (15).