

dametric 

DSI-02

VAL0122843 / SKC9302132



DIGITAL SIGNAL INDICATOR, 115VAC
USERS MANUAL



1 TECHNICAL SPECIFICATION

Article number: DSI-02 / VAL0122843 / SKC302132

Signal inputs

Number of inputs: 12
 Indication: Red led, dia. = 5 mm
 Nominal signal voltage: 115 Vac
 Nominal signal current: 10 mA
 Connection: 12-pole screw connector

Testinput

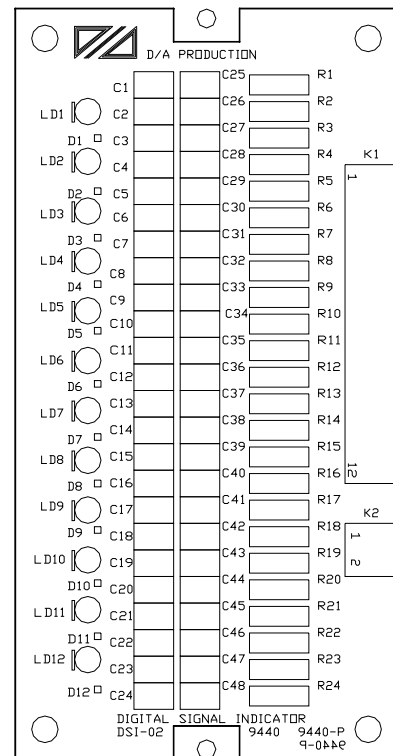
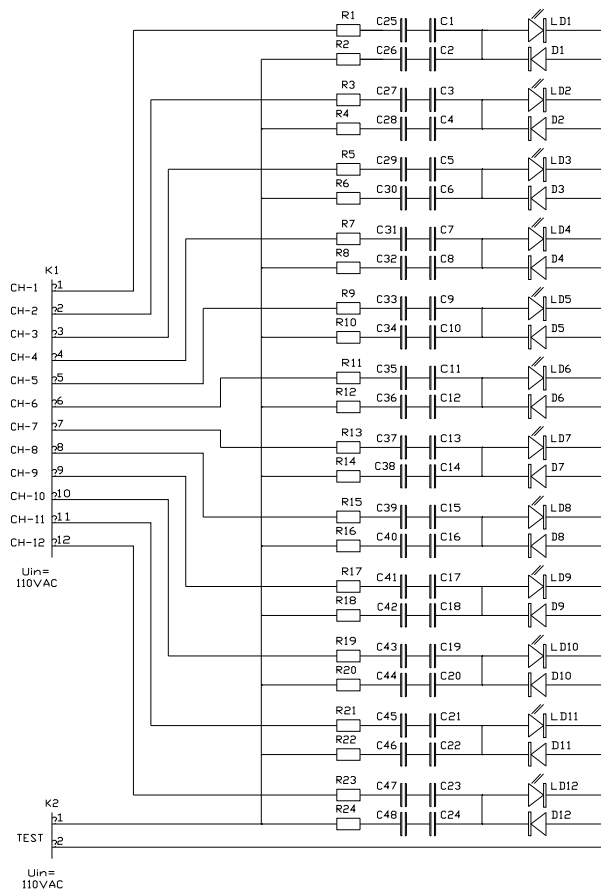
Nominal signal voltage: 115 Vac
 Nominal signal current: 120 mA
 Connection: 2-pole screw connector

Enclosure

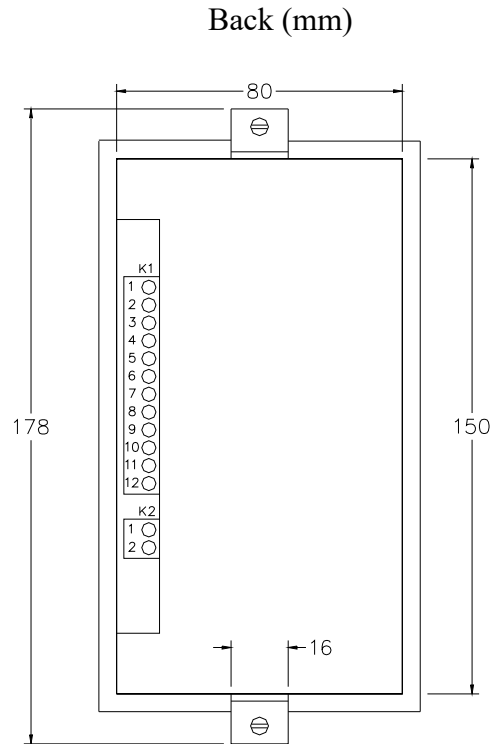
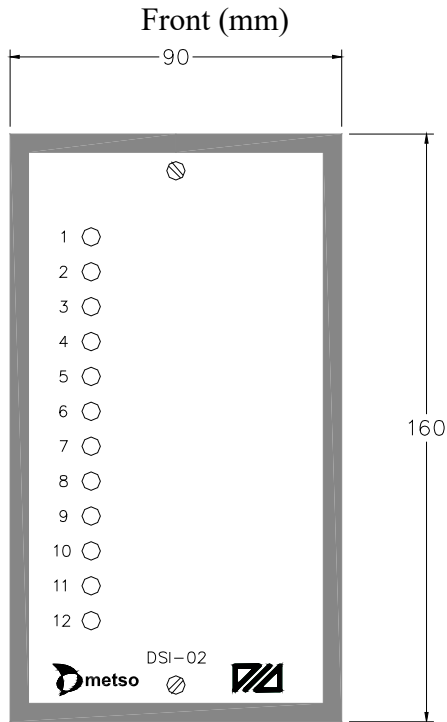
Outline dimension: Width = 90 mm, Height = 160 mm, Depth = 37 mm
 Sealing: IP65 from the front side

2 PLACEMENT OF COMPONENTS

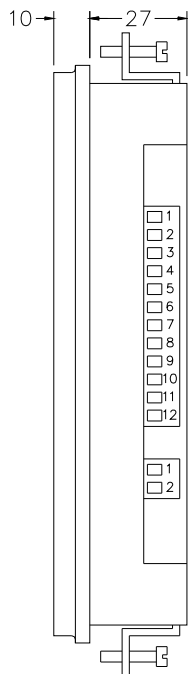
3 CIRCUIT DIAGRAM



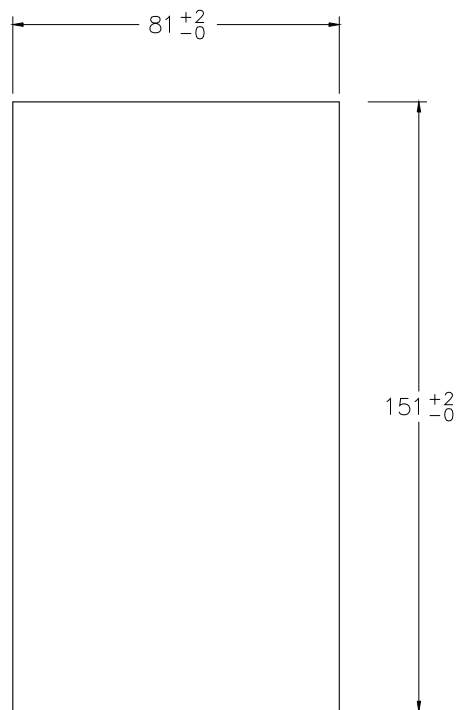
4 OUTLINE DRAWING



Side (mm)



Panel hole (mm)



5 CONTACT

Sales, development, production and service:

Dametric AB

Jägerhorns Väg 19, SE 141 75 Kungens Kurva, Sweden

Phone: +46-8 556 477 00

Telefax: +46-8 556 477 29

E-Mail: service@dametric.se

Website: www.dametric.se

dametric 

Valmet 