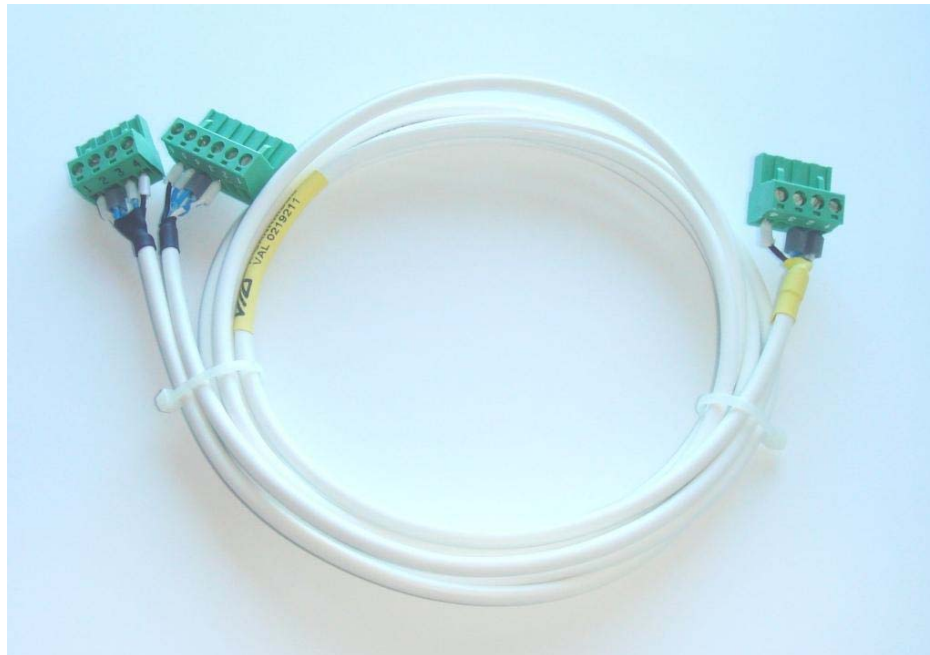


dametric 

K-CANRMS-RSSD

VAL0287034



INTERNAL CAN KABEL
FOR THE RMS-RS1-SD/AGS SYSTEM

DESCRIPTION

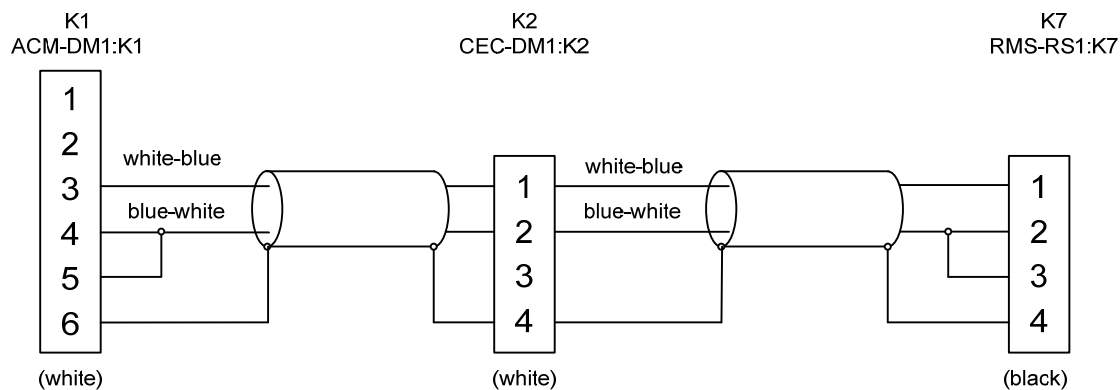


1. SPECIFICATION

Function	CAN-connection between the ACM-DM1, the CEC-DM1 and the DCM-RM1 in the RMS-RS1 rack.
Length	3 m (10 ft)
Connectors	One 6-pole and two 4-pole jackable connectors
Cable type	Shielded bus cable/twisted single parts, PVC cover
Temp. range	-10 to +55°C
Metso part no.	VAL0287034

2. CONNECTION DIAGRAM

The connector K1 has white text, connectors K2, K3 and K4 has black text.



Note the colour marking of the sockets K2 and K7!

K2: The 4-pole with white marking must be connected to the CEC unit.

K7: The 4-pole with black marking must be connected to “K7” in the RS1 rack.

The length can be shortened between K2 and K7 if desired.

3. CONTACT

Sales, development, production and service:

Dametric AB

Jägerhorns Väg 19, SE 141 75 Kungens Kurva, Sweden

Phone: +46-8 556 477 00

Telefax: +46-8 556 477 29

E-Mail: service@dametric.se

Website: www.dametric.se

dametric 

Valmet 