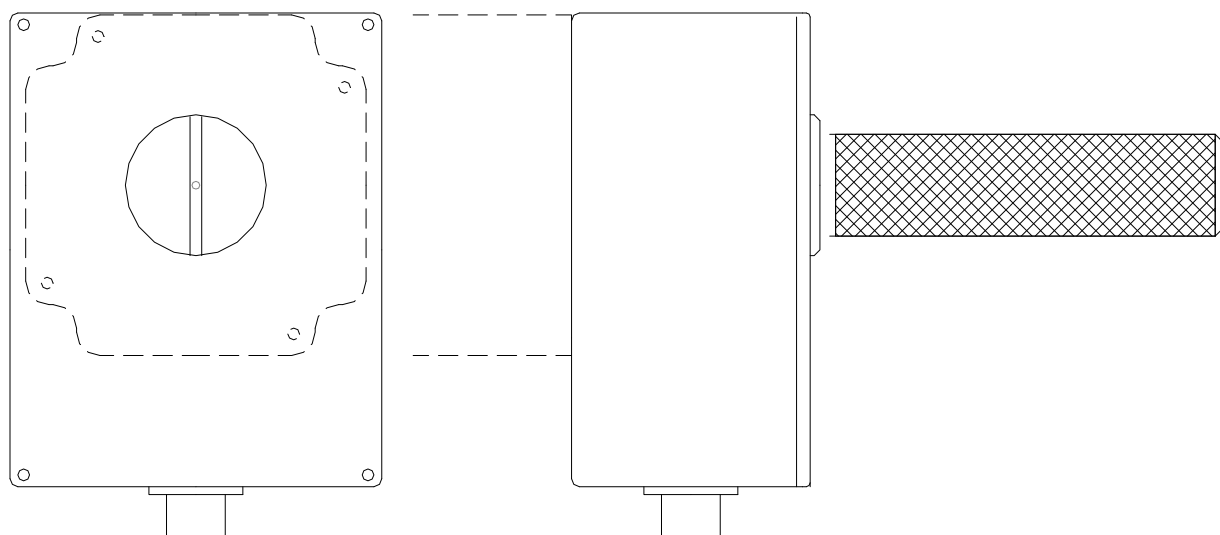

dametric 

AT-04

VAL0122724 / SKC9020225



ANGULAR TRANSMITTER
TO STEPPING MOTOR VRDM 5910

USERS MANUAL

Valmet 

Content

1	TECHNICAL SPECIFICATION.....	2
2	SPARE PART LIST.....	2
3	MOUNTING INSTRUCTION.....	3
3.1	Mounting on the stepping motor.....	3
3.2	Mounting of the handle.....	3
4	OUTLINE DRAWING.....	3
5	CONNECTION DIAGRAM.....	4
6	CONTACT.....	4

1 TECHNICAL SPECIFICATION

Article number	VAL0122724 / SKC9020225.
Design	For angular measurement on the shaft of an electrical stepping motor type Berger&Lahr VRDM 5910/50B.
Option	A handle can be ordered as a separate article, see the spare part list.
Enclosure	Black painted aluminium box, not sealed
Resolution	10 pulses per turn
Transducer	2 pcs inductive, diameter = 12mm, length = 30mm
Connection	6-pole connector with bayonet

2 SPARE PART LIST

<i>D/A-number</i>	<i>VAL / SKC number</i>	<i>Description</i>
IG-12V	VAL / SKC9021918	Inductive transducer 12mm
AT1-KUG	VAL / SKC9020153	Cogwheel
IGH-12	VAL / SKC9021925	Holder for IG-12V
AT1-HAN	VAL / SKC9020115	Handle

3 MOUNTING INSTRUCTION

3.1 Mounting on the stepping motor

Due to different revisions, this article might already be mounted when delivered. If not, it must be mounted at installation.

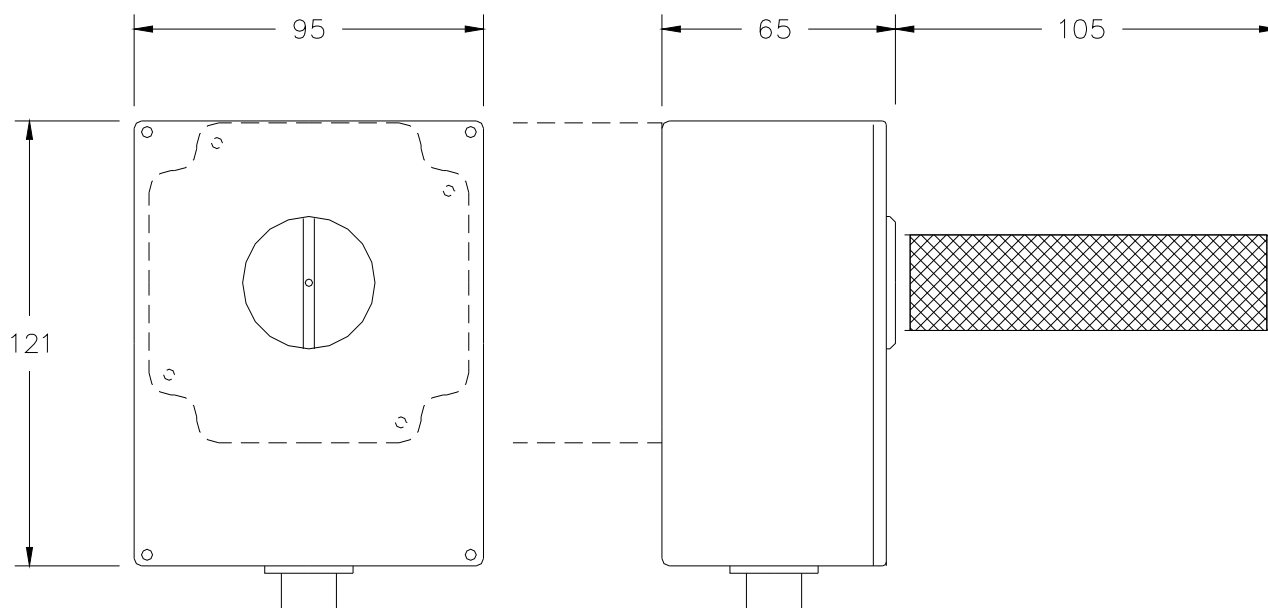
- Dismantle the 4 bolts that hold the back cover of the motor.
- Dismantle the cover of the AT-04.
- Mount the AT-04 on the motor with the accompanying four stainless steel bolts (MCS 3*20). Turn the cover until the connector pointing in the same direction as the cable bushings to the motor. Lock the bolts with thread securing fluid like the Loctite 290 or similar.
- Mount the cogwheel on the motor shaft. Leave at least 1 mm distance between the cogwheel and the bottom. The cogwheel is locked by two hex socket bolts and these bolts must be secured.
- Adjust the transducers until 1 ± 0.2 mm between the outer part of the cogwheel and the tip of the transducers.
- Mount the cover of the AT-04.

3.2 Mounting of the handle

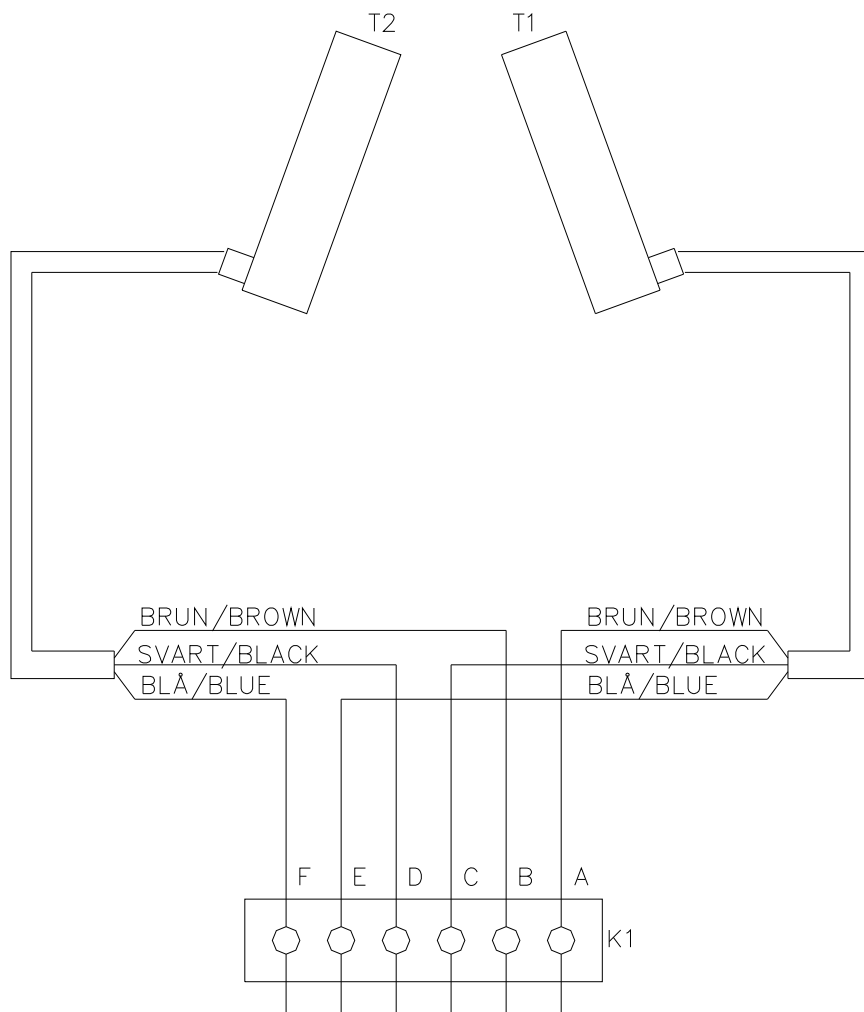
A handle is an option and must be ordered separately.

- Dismantle the cover of the AT-04.
- Dismantle the blind plug in the cover.
- Mount the handle on the cogwheel with three hex socket bolts. Lock these bolts with thread securing fluid like the Loctite 290 or similar.
- Mount the cover of the AT-04.

4 OUTLINE DRAWING



5 CONNECTION DIAGRAM



6 CONTACT

Sales, development, production and service:

Dametric AB

Jägerhorns Väg 19, SE 141 75 Kungens Kurva, Sweden

Phone: +46-8 556 477 00

Telefax: +46-8 556 477 29

E-Mail: service@dametric.se

Website: www.dametric.se

dametric 

Valmet 