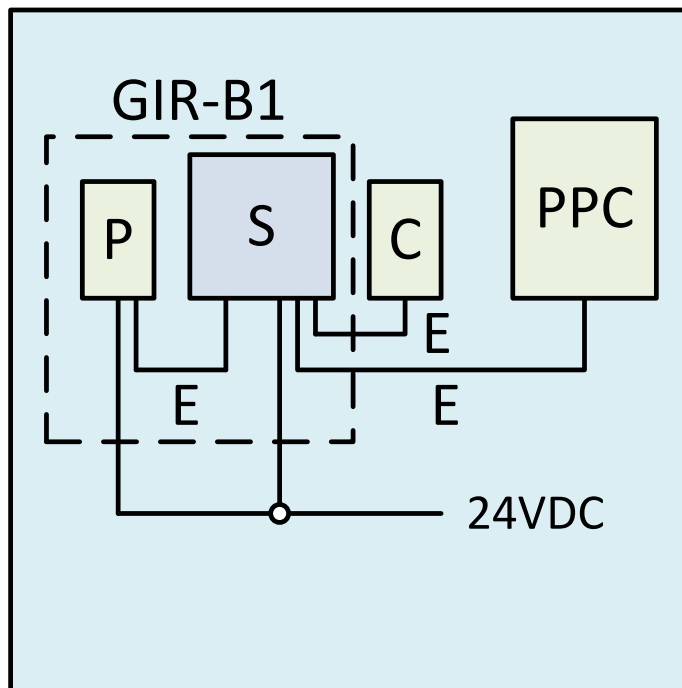




GIR-B1

GMS GIR Base unit

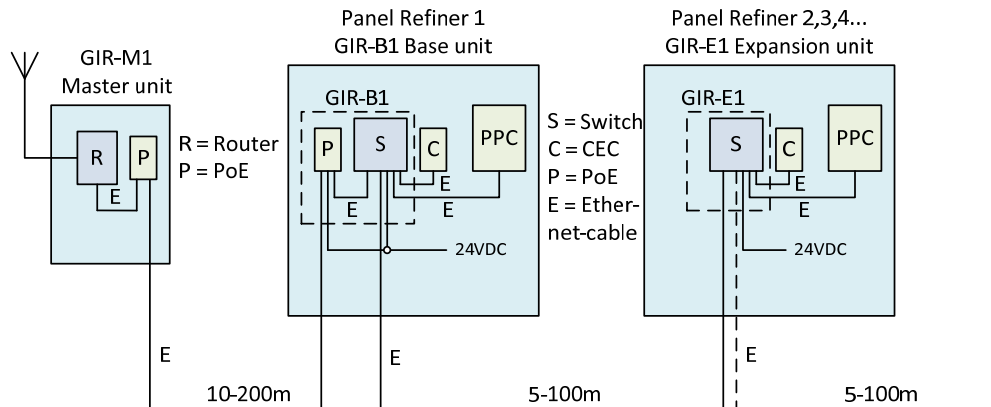


Content

1	GENERAL	2
2	INSTALLATION	3
2.1	MOUNTING	3
2.2	POWER SUPPLY	3
2.3	PoE	3
2.4	ETHERNET	3
3	CIRCUIT DIAGRAM	3
4	PART LIST	4
5	ARTICLE NUMBER	4
6	DOCUMENT REVISION	4
7	CONTACT	4

1 General

The GIR-B1 is a part of a system for remote control of the RMS/GMS-system with the service-panel.



The system can complete an already installed equipment for service assist to shorten service stop time and to retrieve log files for optimization of the grinding process.

The base unit includes a set of parts to be mounted in the refiner panel.

Preferably, choose the refiner panel which is closest to the master unit, GIR-M1.

An injector, GIR-PI1, injects power into the Ethernet cable which is connected to the master unit.

The data traffic is fed to a switch which is used by the Panel-PC and other refiner panels.

The switch is galvanically isolated to prevent ground currents to flow between the refiner panels.

2 Installation

2.1 Mounting

The set of parts is mounted on a DIN rail. An area of app. 100*200 mm (with*height) is needed. Preferably, mount the units together with the CEC-DM1 unit. Feed with 24VDC and the Ethernet cables.

2.2 Power supply

A03 GIR-PI1, Power Injector

Jackable plinth on the tops ide of the unit

- V- Connect to 0V
- V+ Connect to +24VDC

A04 GIR-SW2, Switch

- 1 COM Connect to 0VDC
- 2 +VA Connect to +24VDC

2.3 PoE

The Ethernet cable from the master unit is connected to port PoE OUT on the injector GIR-PI1. This cable is assembled at the mill due to unknown length. Use UTP cable CAT6, press the connectors and test the cable.

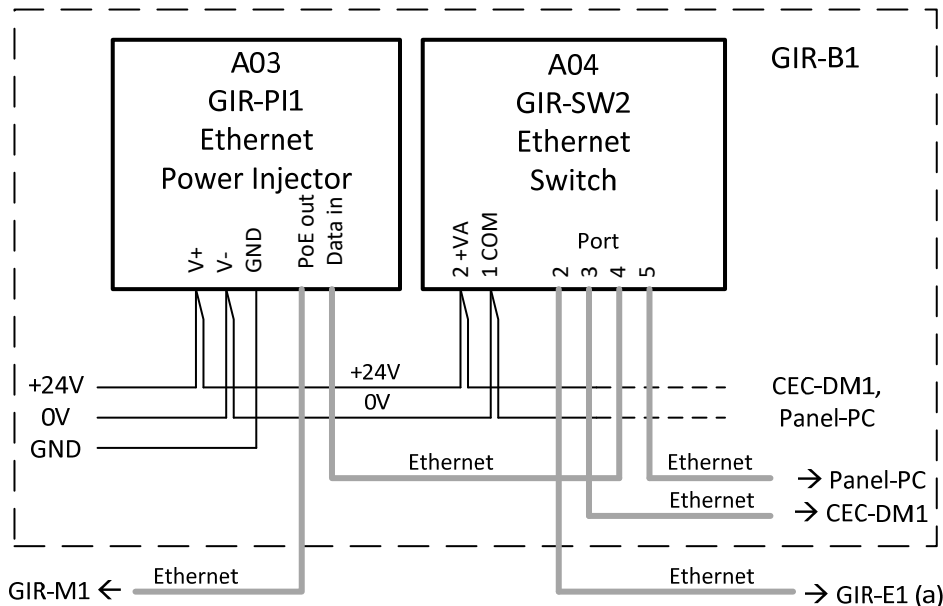
2.4 Ethernet

Ethernet cables from the switch, GIR-SW2.

Port	Cable	To
2	UTP CAT6	GIR-E1 (if more refiner panels are used)
3	K-UTP6-03	CEC-DM1
4	K-UTP6-03	GIR-PI1
5	K-UTP6-1	PPC-xxx Panel-PC

The port-numbers is only a suggestion, any port can be chosen.

3 Circuit diagram



4 Part list

The following parts are included in the set:

<i>Pos</i>	<i>Article</i>	<i>Description</i>
A03	GIR-PI1	PoE Injector
A04	GIR-SW2	Ethernet switch
1 pcs	K-UTP6-03	Ethernet cable 3dm between switch and the GIR-PI1
1 pcs	K-UTP6-03	Ethernet cable 3dm between switch and the CEC-DM1
1 pcs	K-UTP5X-3	Ethernet cable 1m (between switch and the Panel-PC)
4 pcs	RJ45-C6UTP	Connector for UTP- cable (tools are not necessary)

The following parts is not included and is fabricated upon installation:

-	UTP Cat6	Ethernet cable per meter for connection to the GIR-M1
-	UTP Cat6	Ethernet cable per meter for connection to a possible GIR-E1

5 Article number

<i>Dametric</i>	<i>SKC</i>	<i>Valmet</i>
GIR-B1	SKC2602030	VAL0372640.

6 Document revision

2016-02-19/DW	Created.
2018-10-23/BL	SKC number added.

7 Contact

Development, production and service:

Dametric AB

Jägerhorns Väg 19, SE-141 75 Kungens Kurva, Sweden

Phone: 08-556 477 00

E-mail: service@dametric.se www.dametric.se

dametric 