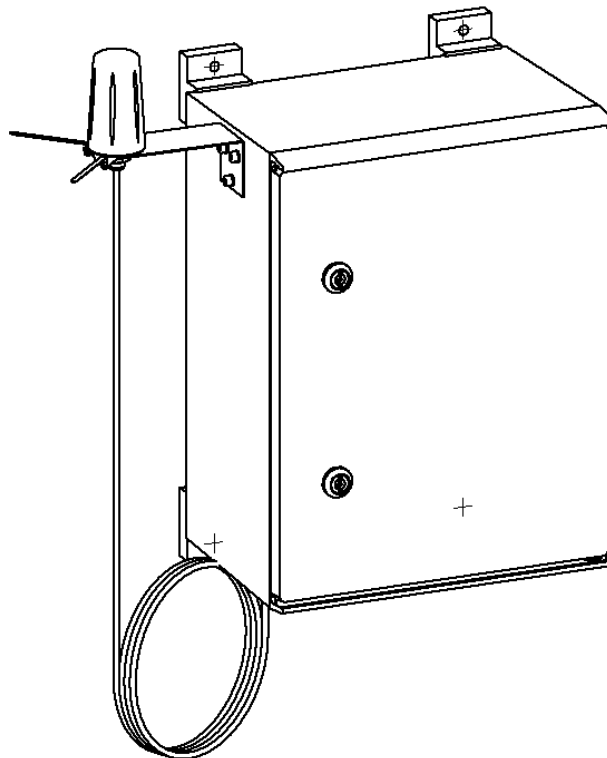


dametric 

GIR-M1

GMS GIR Master unit

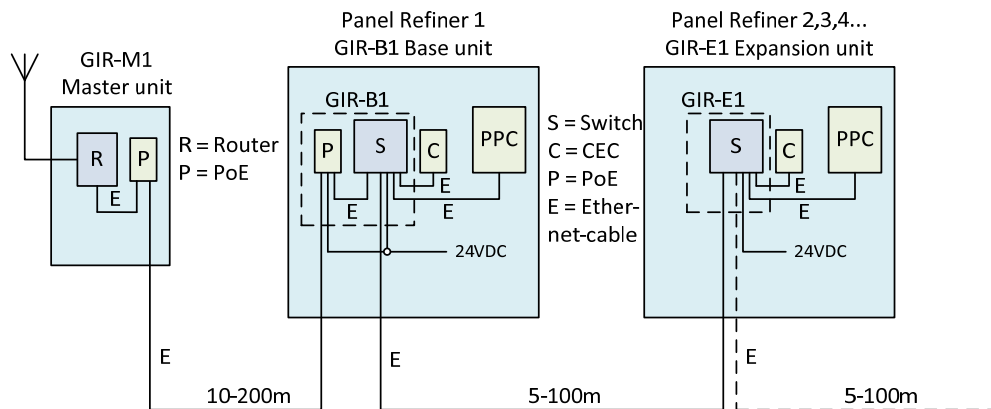


Content

1	GENERAL	2
2	INSTALLATION	3
2.1	MASTER UNIT	3
2.2	ANTENNA	3
2.3	ETHERNET CABLE	3
3	CIRCUIT DIAGRAM	3
4	PART LIST	3
5	SIM-CARD	4
6	ARTICLE NUMBER	4
7	DOCUMENT REVISION	4
8	OUTLINE DRAWING	4
9	CONTACT	5

1.1 General

The GIR-M1 is a part of a system for remote control of the RMS/GMS-system with the service-panel.



The system can complete an already installed equipment for service assist to shorten service stop time and to retrieve log files for optimization of the grinding process.

The enclosure includes a modem/router and antenna and is powered by a PoE splitter. The box is placed indoor or outdoor in a place with good 3G/4G network signal strength.

The unit communicates through an Ethernet cable connected to a base unit, GIR-B1. The Ethernet connectors is included in the system, but the cable and installation must be added.

A sim-card and an agreement with a network supplier is also necessary. A data quantity of at least 5GB per month is recommended.

2 Installation

2.1 Master unit

The master unit is mounted on a wall. See mounting drawing and use the supplied mounting flanges. No separate power feeding is required due to the PoE (Power Over Ethernet) in the Ethernet cable.

The Ethernet cable must be connected to a GIR-PI1 module (Power Injector).

The GIR-PI1 unit is installed in the refiner panel which is close to the master unit.

The GIR-B1 package includes the GIR-PI1 module, a switch and Ethernet cables.

- Find a good access position for the 3G/4G net.
- Mount the unit on a wall.
- The antenna can, if needed, be mounted outside.

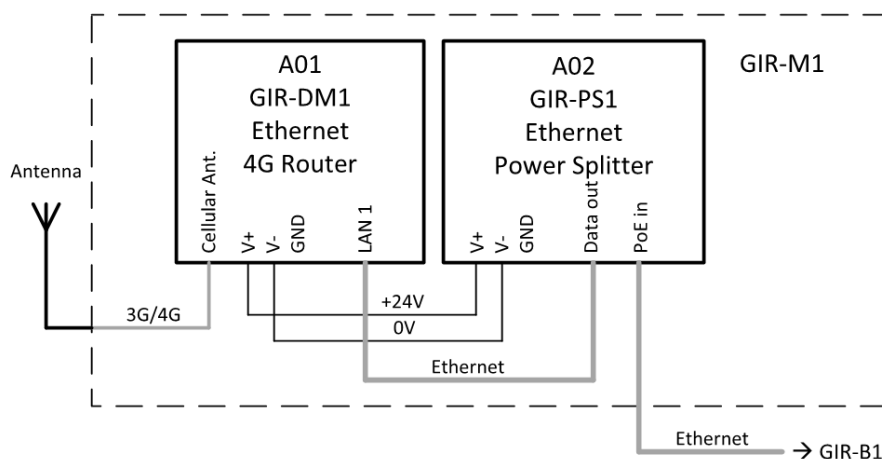
2.2 Antenna

The antenna is pre-mounted on the enclosure but can alternatively be mounted to a location with better 3G/4G signal strength. The length of the cable is 5m which enables outside mounting.

2.3 Ethernet cable

- Install a Cat 6 Ethernet cable from the master unit to the closest refiner with the GIR-B1 package.
- Press-on the connectors and check the installation with a dedicated test instrument.

3 Circuit diagram



4 Part list

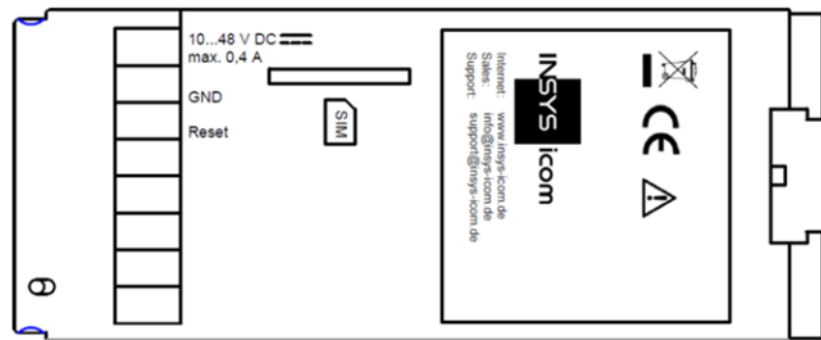
<i>Pos</i>	<i>Article</i>	<i>Description</i>
A01	GIR-DM1	3G/4G Router
A02	GIR-PS1	PoE Splitter
A03	GIR-ANT2	Antenna
A04	K-UTP6-03	Ethernet cable 3 dm (between A01 and A02)

5 SIM-card

Use a SIM-card for data traffic over the 4G or the 3G-net.

Mount the card into the router, GIR-DM1, on the top side of the unit.

The picture shows the router from the top side. Note the marking of how the sim card is installed.



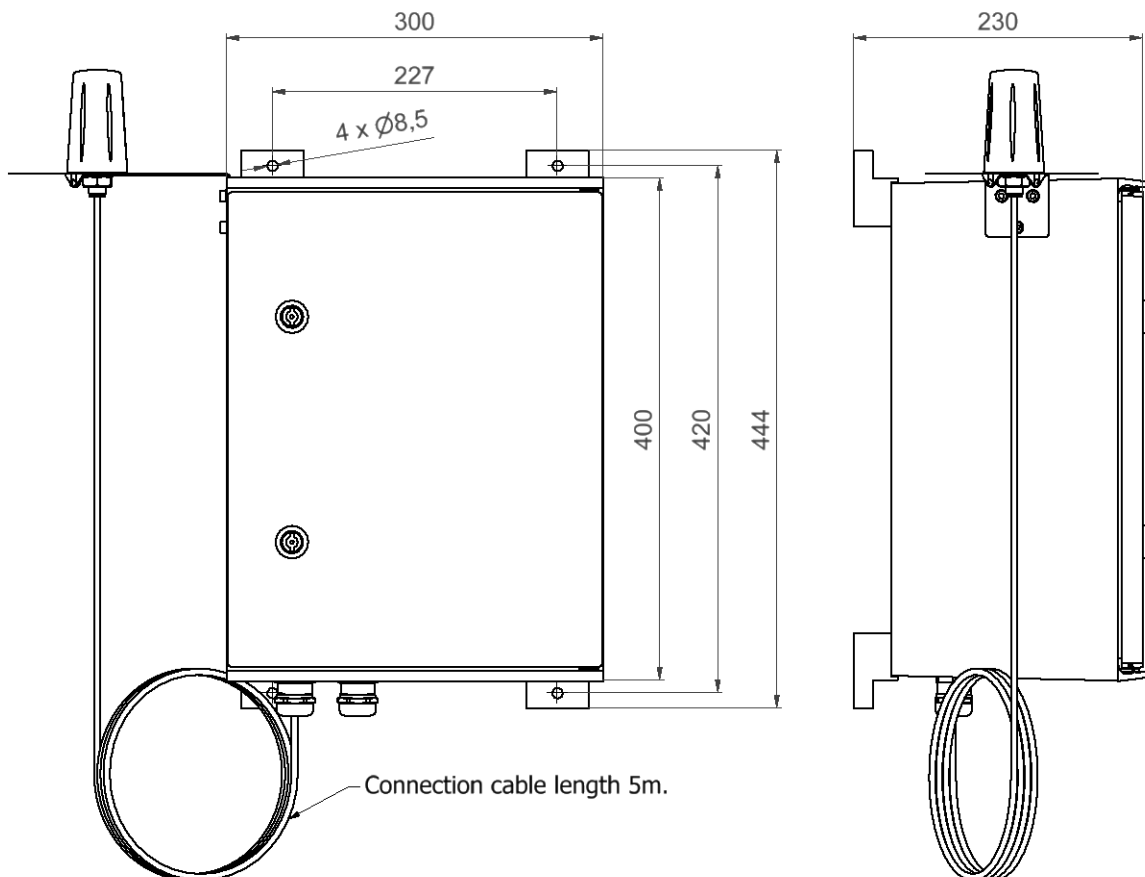
6 Article number

<i>Dametric</i>	<i>SKC</i>	<i>Valmet</i>
GIR-M1	SKC2594413	VAL0372641.

7 Document revision

2016-02-19/DW	Created.
2016-09-29/DW	Outline drawing added.
2018-10-23/BL	SKC-number added.

8 Outline drawing



9 Contact

Development, production and service:

Dametric AB

Jägerhorns Väg 19, SE-141 75 Kungens Kurva, Sweden

Phone: 08-556 477 00

E-mail: service@dametric.se www.dametric.se

dametric 