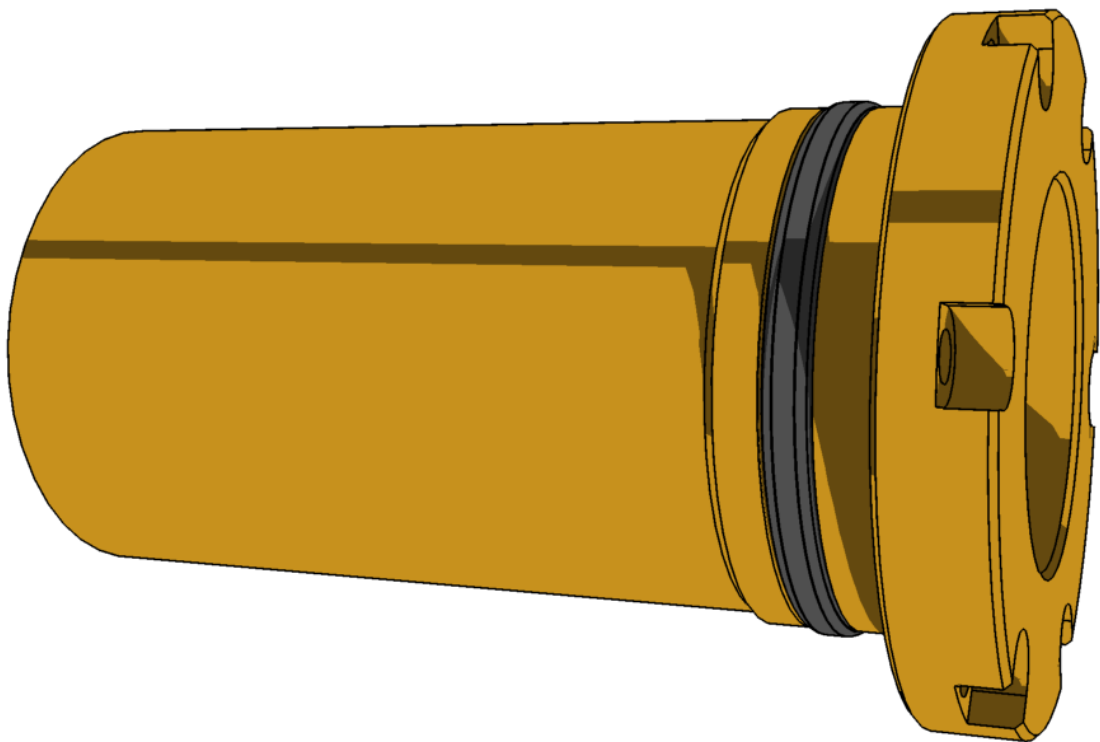


AGS-SP-SB170-FO

ADAPTER PART FOR THE AGS-SB170 SENSOR



DESCRIPTION

dametric 

1 GENERAL

The refiner adaptor part of the AGS will mechanically fit the AGS to the refiner stator plate. There are several types of adaptors for different lengths, threads and sealings and the AGS-SB170-FO will fit the AGS in an Andritz SB170 refiner.

The adaptor is included in a new AGS sensor but can also be bought as a spare part. The adaptor is replaced if the thread is damaged or if the contact surface to the segment plate is damaged.

2 SEALING

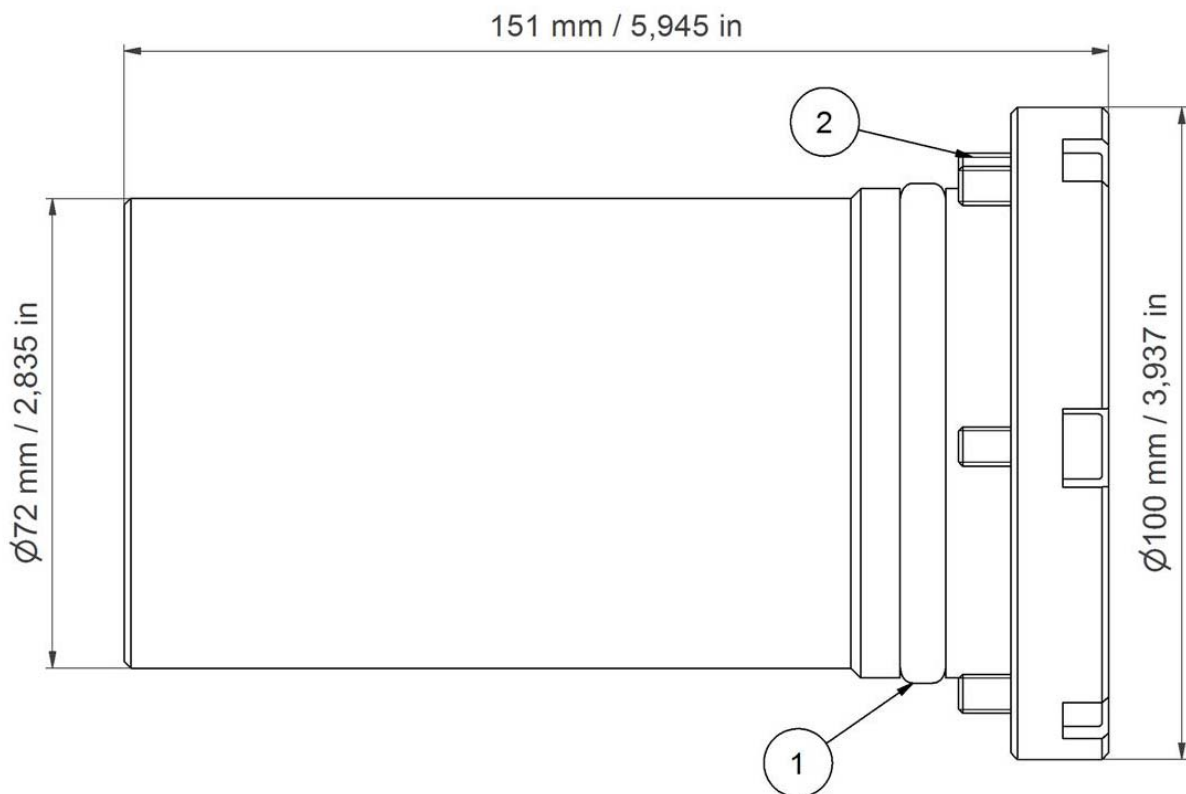
One sealing is mounted on the inside toward the holder of the AGS sensor. Two sealings are placed on the outside toward the stator of the refiner. The sealing marked with "1" should be replaced periodically due to wear when the stator is moved.

3 INSTALLATION

The adaptor is installed to the stator in the refiner using six M6x16 screws.

Use the 'Holder exchange' wizard on the Panel-PC to mount or dismount the holder and tip.

4 OUTLINE DRAWING



1 - Sealing 2 - M6x16

5 CONTACTS

Development, production and service:

Dametric AB

Jägerhorns Väg 19, SE-141 75 Kungens Kurva, Sweden

Phone: +46 (8) 556 477 00

Telefax: +46 (8) 556 477 29

e-mail: dametric@dametric.se

www.dametric.se

dametric 