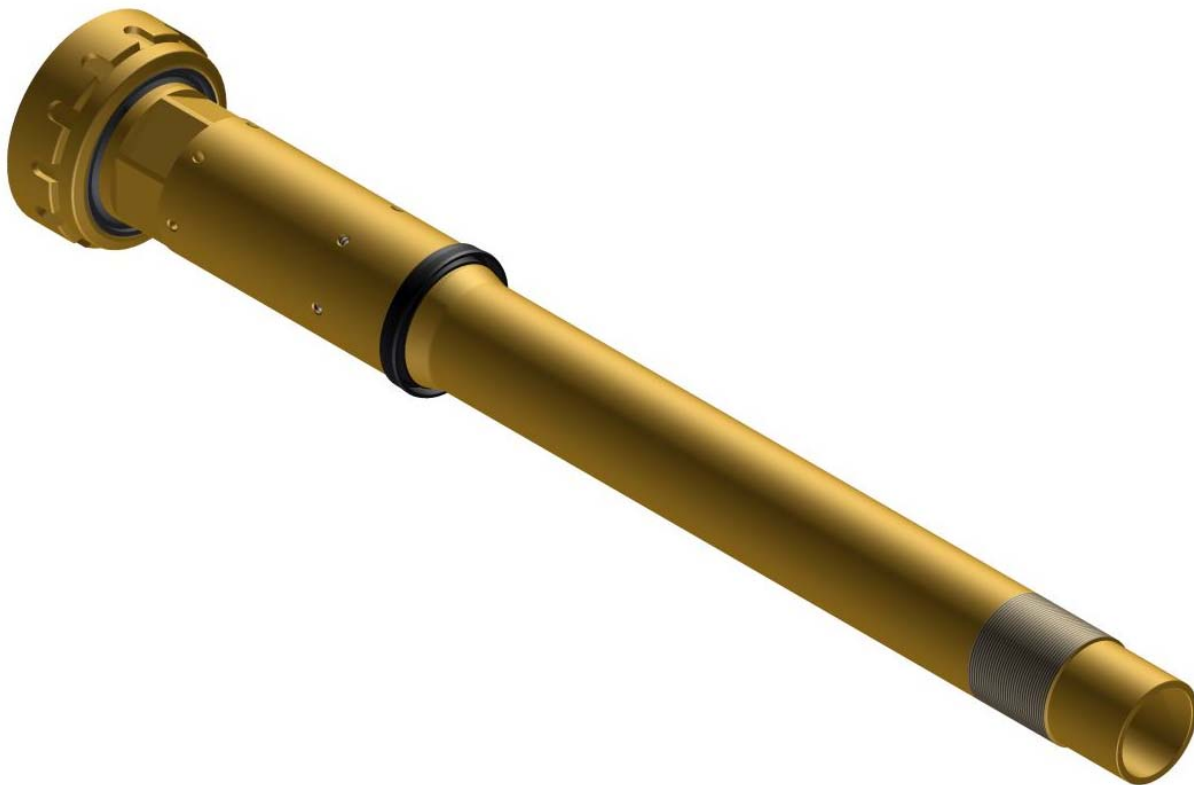


dametric   
**AGS-SP-IZS-H**

**HOLDER PART OF THE AGS-IZS SENSOR**



**DESCRIPTION**

## 1 GENERAL

The holder part of the AGS will mechanically fit the AGS-house to the refiner stator plate.

There are several types of holders for different lengths, threads and sealing.

The AGS-SP-IZS-H will fit the flat zone AGS in the Metso RGP-60 refiner.

The holder is included in a new AGS sensor but can also be bought as a spare part. The holder is replaced if the thread is damaged, if the sealing surface has become damaged or if the contact surface to the segment plate is damaged.

## 2 SEALING

The inside of the holder is sensor tip. Special precaution inside surfaces – use only a



used as a sealing surface to the must be used when cleaning the soft cloth.

## 3 MOUNTING

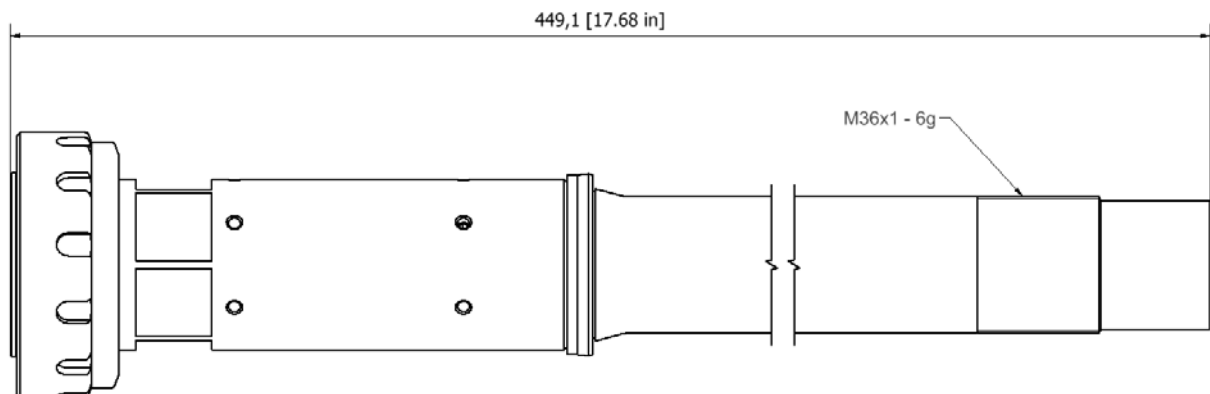
The holder is mounted directly to the AGS house and the sensor tip must be mounted afterwards. Use the 'Holder exchange' wizard on the Panel-PC to mount or dismount the holder and tip. The locking nut shall always be fully tightened except when to change the holder or if to thread the sensor into the stator a long distance.

Make sure to tighten the locking nut when the AGS is mounted completely.

## 4 VALMET PART NO.

VAL0339432.

## 5 OUTLINE DRAWING



## 6 CONTACT

Sales, development, production and service:

### Dametric AB

Jägerhorns Väg 19, SE 141 75 Kungens Kurva, Sweden

Phone: +46-8 556 477 00

Telefax: +46-8 556 477 29

E-Mail: [service@dametric.se](mailto:service@dametric.se)

Website: [www.dametric.se](http://www.dametric.se)

dametric 

Valmet 