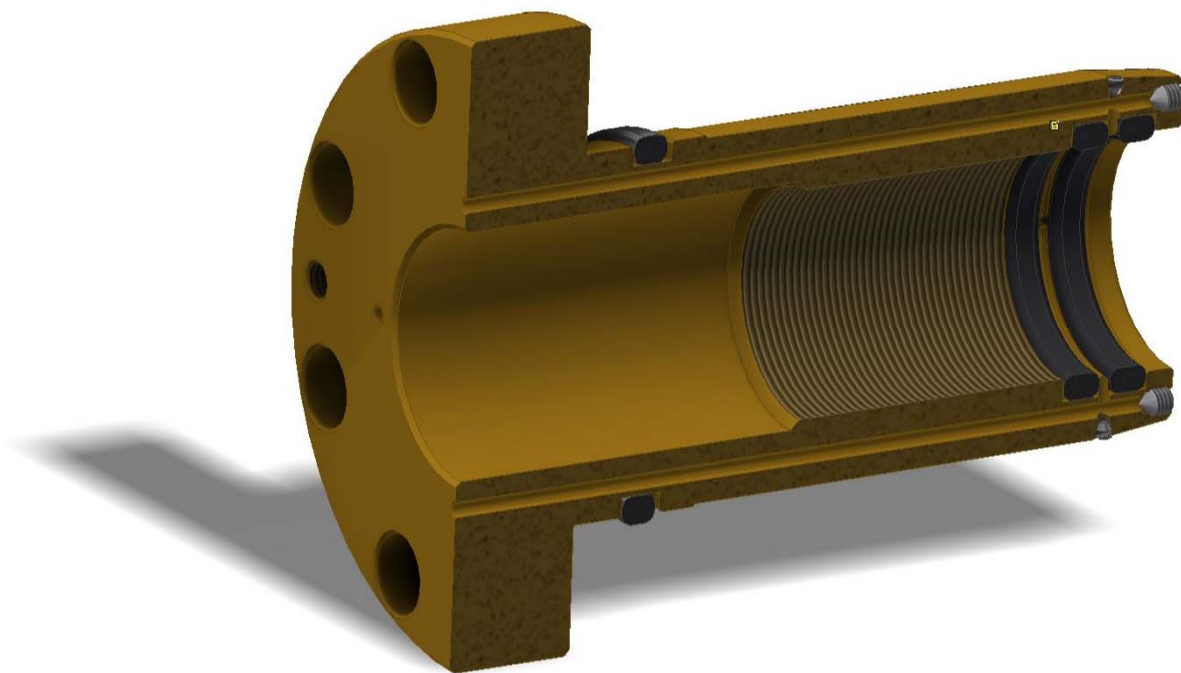




AGS-SP-TC66-FE

ADAPTER PART FOR THE AGS-TC66 SENSOR



DESCRIPTION

1 GENERAL

This refiner adaptor part of the AGS will mechanically fit the AGS to the refiner stator plate. There are several types of adaptors for different lengths, threads and sealings and the AGS-SP-TC66-FE will fit the AGS in an Andritz TC66 refiner.

The adaptor is not included in a new AGS sensor but can be bought as a spare part. The adaptor is replaced if the thread is damaged or if the contact surface to the segment plate is damaged.

2 SEALING

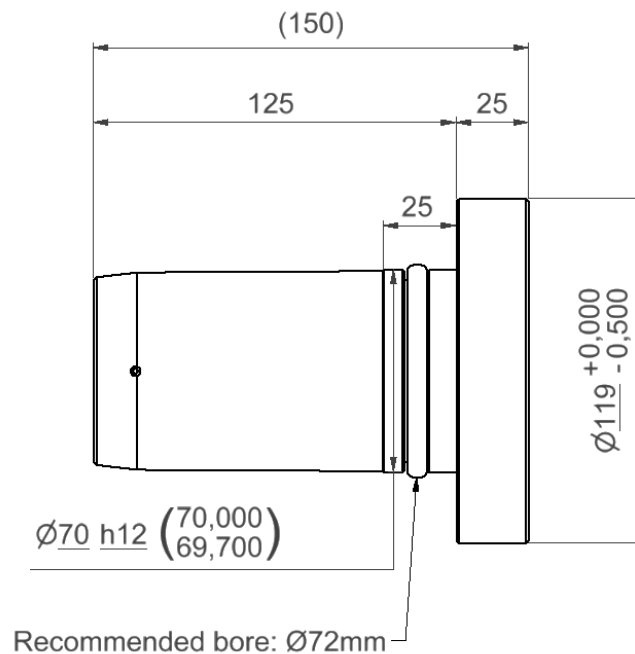
Two sealings is mounted on the inside toward the holder of the AGS sensor. One sealing are placed on the outside toward the stator of the refiner. The outer sealing should be replaced periodically due to wear when to stator is moved.

3 INSTALLATION

The adaptor is installed to the stator in the refiner using eight M8x25 screws.

Use the 'Holder exchange' wizard on the Panel-PC to mount or dismount the holder and tip.

4 OUTLINE DRAWING



5 PART NUMBER

Dametric art.no.	SKC part no	Valmet part no
AGS-SP-TC66-FE	SKC	VAL0323509

6 CONTACT

Development, production and service:

Dametric AB

Jägerhorns Väg 19, SE-141 75 Kungens Kurva, Sweden

Phone: +46 (8) 556 477 00 Telefax: +46 (8) 556 477 29

e-mail: dametric@dametric.se www.dametric.se

dametric 