

dametric 

GIR-ANT1



GMS Industrial Router Antenna

Description

	Page
Table of contents	
<b>1 GENERAL</b> .....	<b>2</b>
<b>2 TECHNICAL DATA</b> .....	<b>2</b>
<b>3 DRAWING</b> .....	<b>3</b>
<b>4 VALMET ARTICLE NUMBER</b> .....	<b>3</b>
<b>5 CONTACT</b> .....	<b>3</b>

## 1 General

The GIR-ANT1 is an antenna used for the GMS Industrial Router in GMS Remote Access applications. The unit is mounted on the top of the RMS/GMS cabinet and the 0.5 m coax cable is connected to the GIR-DM1 Router unit inside the cabinet.

## 2 Technical data

### Electrical Data

Frequency Range (MHz)	698-960 / 1710-2700	
Operational Band	700/800/900/1800/1900/2100/ 2400/2600	
Peak Realised	700 MHz	3dBi
Gain: Isotropic	800 MHz	3dBi
	900 MHz	4dBi
	1800 MHz	4dBi
	1900 MHz	5dBi
	2100 MHz	5dBi
	2400 MHz	5dBi
	2600 MHz	5dBi
VSWR	< 1.5:1	
Polarization	Vertical	
Pattern	Omnidirectable	
Imedance	50 $\Omega$	
Max input power	30 W	

### Mechanical data

Dimension	Height	82 mm
	Diameter	48mm
Temperature range	-10 to +80 °C	
Material	High impact UV Stable ABS	
Colour	Black	

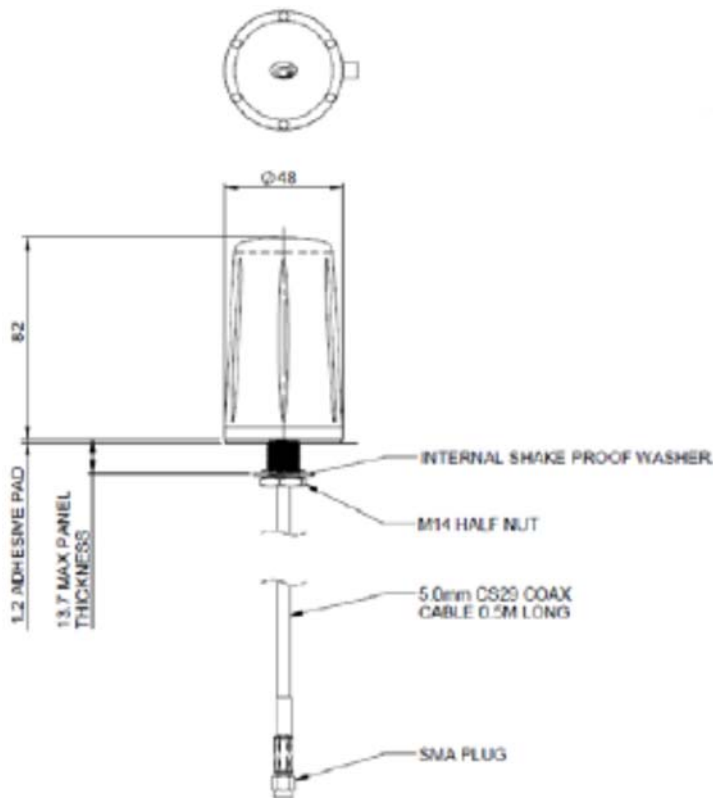
### Mounting data

Fixing	Panel mount
Hole diameter	14 mm
Max panel thickness	13 mm

### Cable data

Type	5mm low loss coax
Length	0.5 m
Connector	SMA Male

### 3 Drawing



### 4 Valmet article number

VAL0366860.

### 5 Contact

Development, production and service:

#### Dametric AB

Jägerhorns Väg 19, SE-141 75 Kungens Kurva, Sweden

Phone: +46-8 556 477 00

Telefax: +46-8 556 477 29

e-mail: [service@dametric.se](mailto:service@dametric.se)

[www.dametric.se](http://www.dametric.se)

dametric 