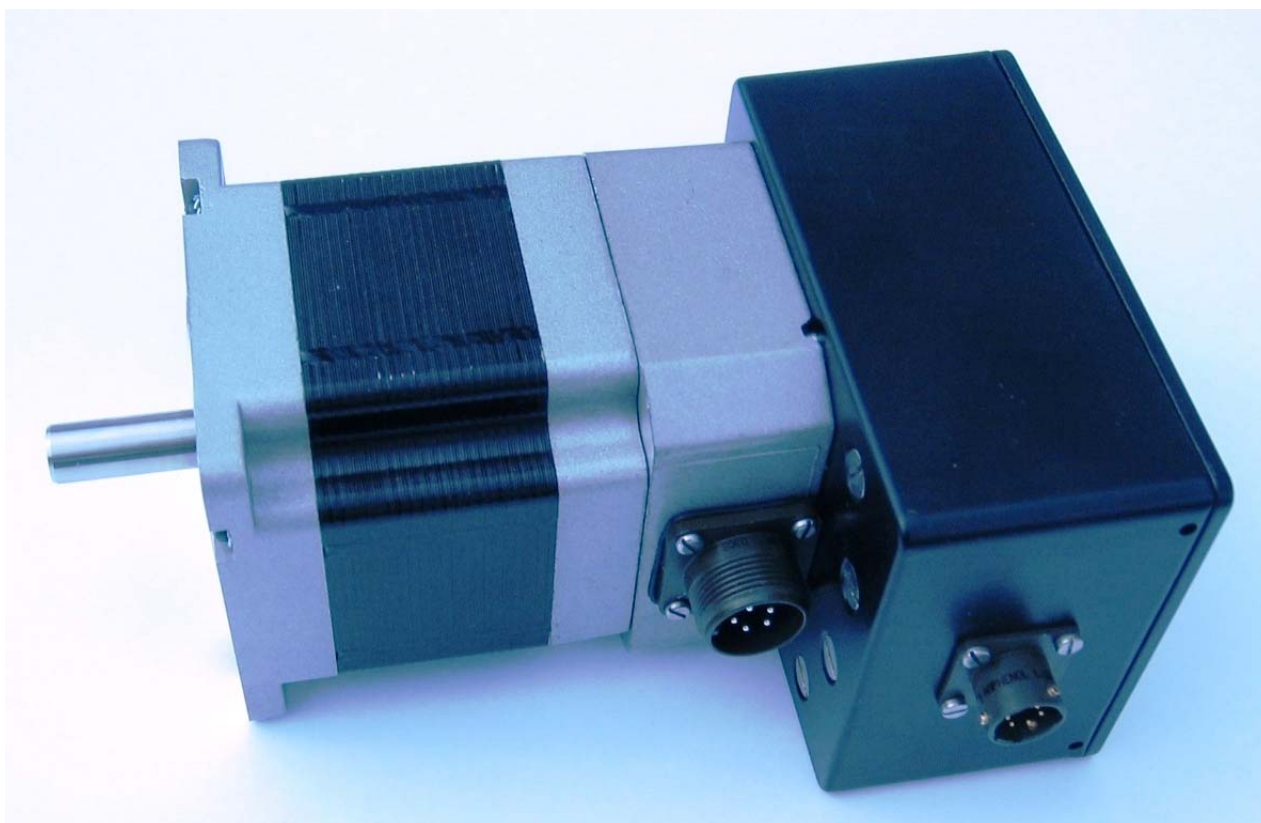


dametric 

AT4-86STH

SKC9994542 / VAL0202203



2-PHASE STEP MOTOR
WITH ANGLE SENSOR



CONTENT	PAGE
1 GENERAL	2
2 TECHNICAL DATA.....	2
3 HANDLE (OPTION), AT1-HAN	3
4 OUTLINE DRAWING	3
5 CONNECTION DIAGRAM	4
6 CONTACT.....	4

1 General

The AT4-86STH is an electric stepping motor with an integrated angle sensor designed to control the adjustment device in a pulp refiner. The stepping motor affects an adjusting screw which controls the rotor by a hydraulic device. The unit replaces a pneumatic type stepping motor.

The angle sensor outputs 10 pulses per turn and is measured by an electronic unit, FG-02. They are connected by a 25m long cable (K-AT-10, VAL0122765, SKC8102560) which includes a connector in the sensor end. The cable end at the amplifier side is cut to an appropriate length at installation and connected to screw connectors.

The stepping motor is controlled by a drive unit, CMD-RM2 which is mounted in a rack, CMS-XXX or RMS-XXX. The units are connected by a 25m long cable (K-CM25K) which includes a connector in the motor end. The cable end at the amplifier side is cut to an appropriate length at installation and connected to screw connectors.

2 Technical data

Total weight 3.1 kg

Motor:

Motor	2-phase step motor type 86STH
Enclosure	IP54
Drive unit	CMS-11/12/13/14/15
Torque	4.5 Nm
Connection	5-pole male connector for cable K-CM25K.
Weight	2.3kg

Angle sensor:

Drive unit	FG-02, Angle Sensor Electronic
Enclosure	IP54, Aluminum box, painted, black
Resolution	10 pulses per turn
Sensors	Two inductive, diameter = 12mm, length = 30mm
Connection	6-pole connector for cable K-AT10.

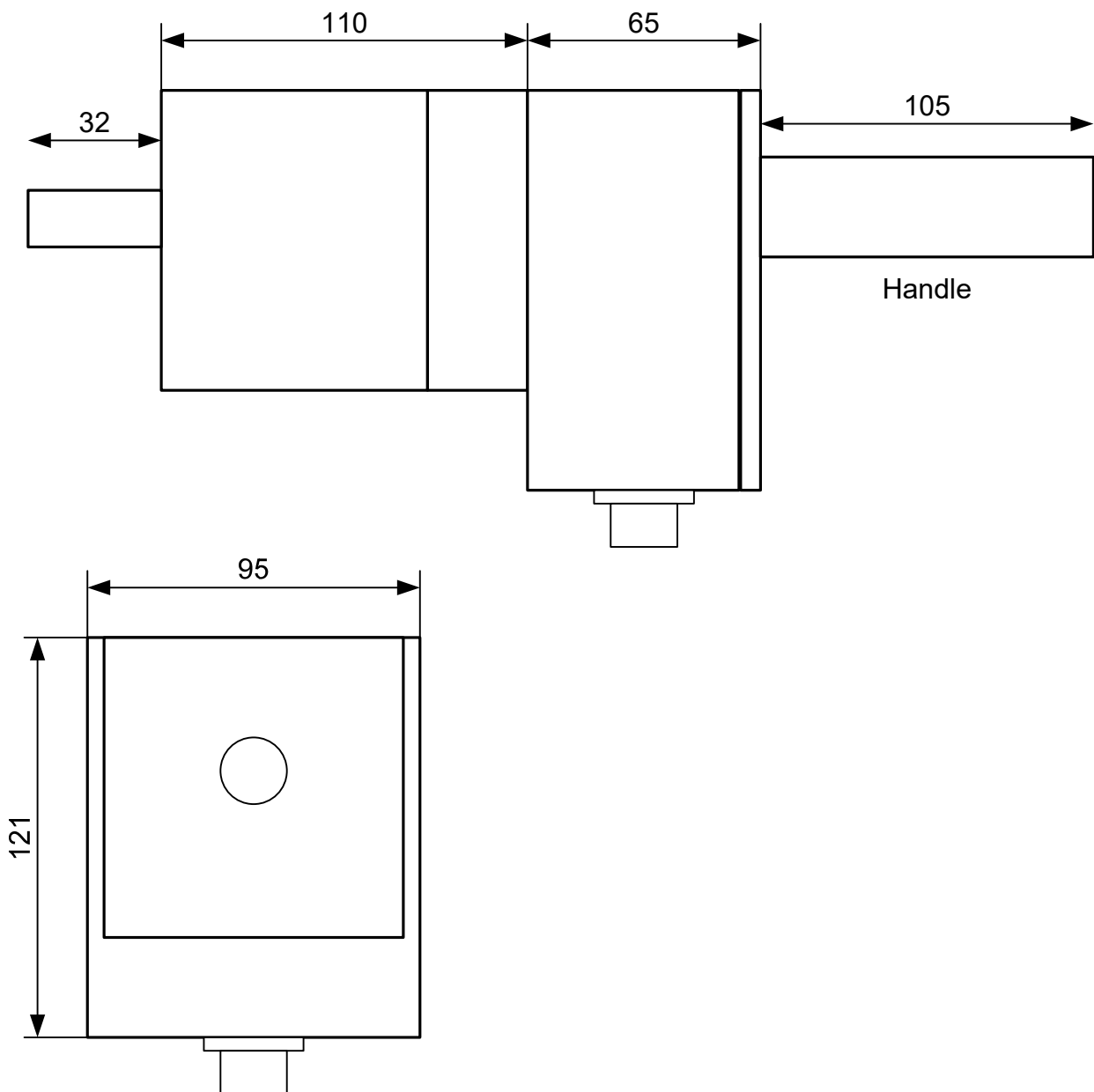
3 Handle (option), AT1-HAN

A handle, AT1-HAN (VAL0226631/SKC9020115), can be mounted as an option which gives the user a way to turn the adjusting screw by hand. The handle is ordered separately.

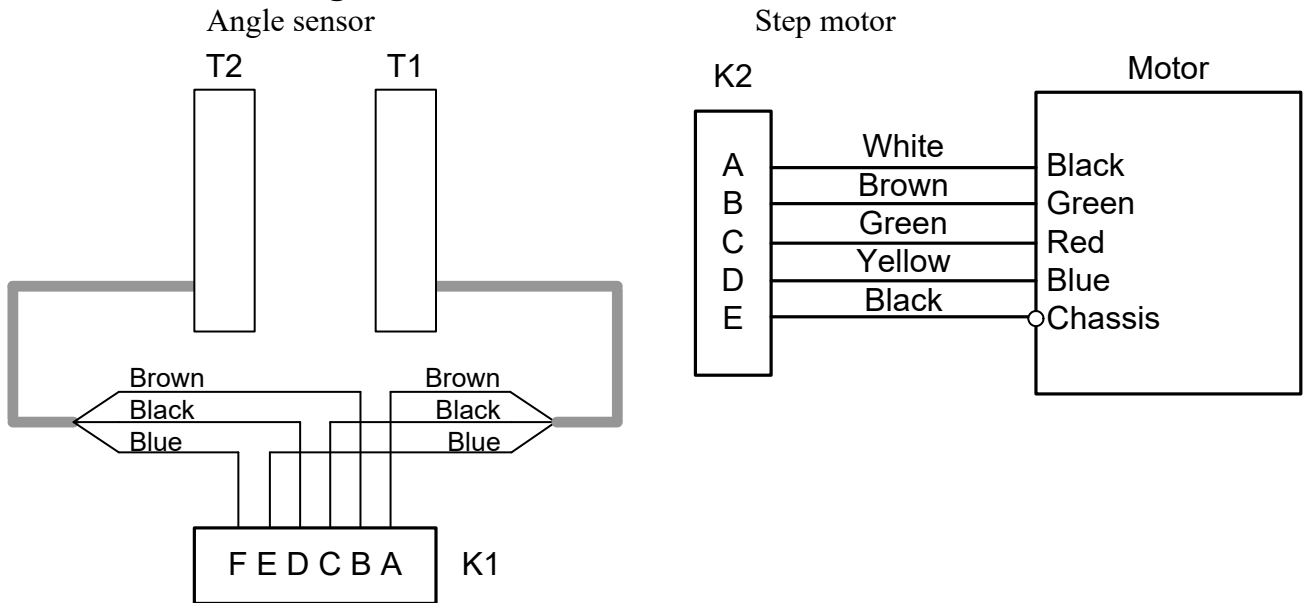
Do this to mount the handle:

- Dismantle the cover of AT-04.
- Dismantle the blind plug in the cover.
- Mount the handle on the gear wheel with three screws. Lock the screws with thread lock fluid, Loctite 290 or similar.
- Mount the cover of the AT-04.

4 Outline drawing



5 Connection diagram



6 Contact

Sales, development, production and service:

Dametric AB

Jägerhorns Väg 19, SE 141 75 Kungens Kurva, Sweden

Phone: +46-8 556 477 00

E-Mail: service@dametric.se

Website: www.dametric.se

dametric 

Valmet 