

dametric 

PPC-84T5

DESCRIPTION



PANEL-PC

**FOR THE AGS AND TDC
PLATE GAP MEASUREMENT SYSTEMS**

CONTENT

1	GENERAL	2
2	TYPE DESIGNATION	2
3	MOUNTING	2
4	SPECIFICATION	2
5	CONNECTIONS.....	3
1.1	POWER SUPPLY	3
1.2	NETWORK CABLE.....	3
1.3	SOCKETS.....	3
6	SOFTWARE	3
7	OUTLINE DRAWINGS	3
8	CONTACT.....	4

1 GENERAL

The PPC-84T5 Panel-PC is used as the display and user interface for refiners equipped with the AGS plate gap measuring system.

The computer is based on the Microsoft Windows 10 operational system and the data is presented on a colour 8.4 inch TFT LCD screen. It also includes a touch panel for inputs from the operator.

The PPC is only used for presentation and input and has no built-in refiner control logic. It means that the PPC can be turned off safely without compromising refiner safety.

2 TYPE DESIGNATION

<i>Art.no</i>	<i>SKC art. No</i>	<i>Valmet part. no.</i>
PPC-84T5	SKC9990113	VAL0418437

3 MOUNTING

The Panel-PC is normally mounted in a frame which is then mounted on the door of the cabinet. The frame, PPC-SHx, is provided in different configurations, all with the same cut-out drawing for the cabinet but different cut-out holes for the Panel-PC.

The PPC-SH5 is made for PPC-84T5.

Place one frame on each side of the Panel-PC.

4 SPECIFICATION

Main supply	24VDC max 2A (nom. 1A)
Size	See item outline drawing below
Weight	approximately 3.3 kg
Temperature range	0 – 40°C (32 – 104°F)
Relative humidity	20 – 90%, non-condensing
Front bezel	IP65, NEMA 4/12 rugged protection
LCD Panel	8.4 inch (213mm)
Brightness	350cd/m ²
Resolution	800 * 600 pixels
Touch screen	Yes, resistive type
Memory type	SSD type hard disk
PS/2 Interface	Keyboard/mouse
Operational system	Windows 10

5 Connections

1.1 Power supply

24Vdc is connected to the screw socket: +24V to ”+”, 0V to ”-”. “GND” is connected to the mounting frame.

1.2 Network cable

Connect the network cable to the RJ-45 socket marked “ETH1 Operation”.

1.3 Sockets

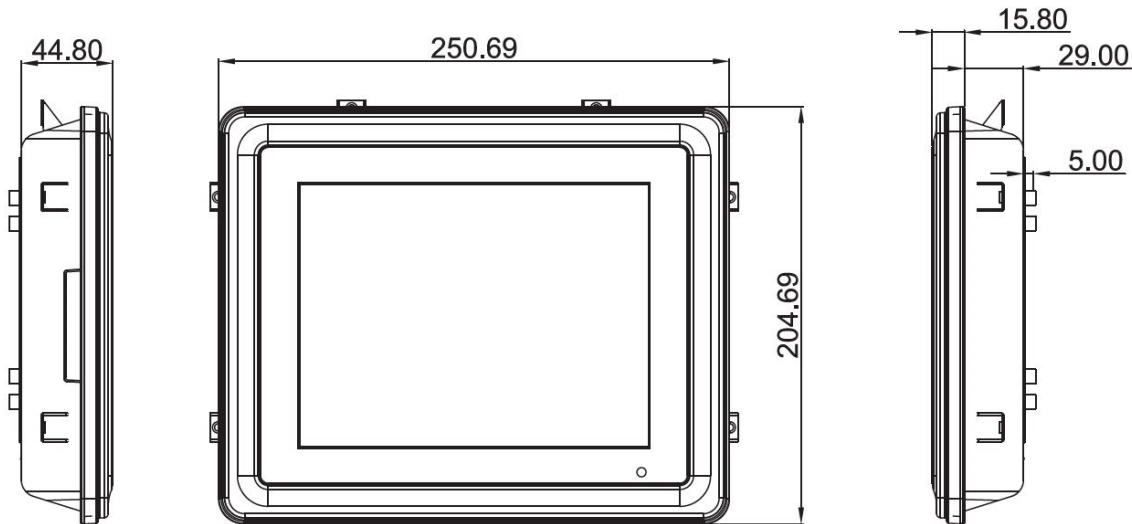
- 1 Power switch
- 2 Power input
- 4 Audio (not used)
- 5 COM 1 (not used)
- 6 COM 2 (not used)
- 7 HDMI (not used)
- 8 USB 2.0 x2
- 9 Ethernet x2
- 10 AX/ATX selectable switch



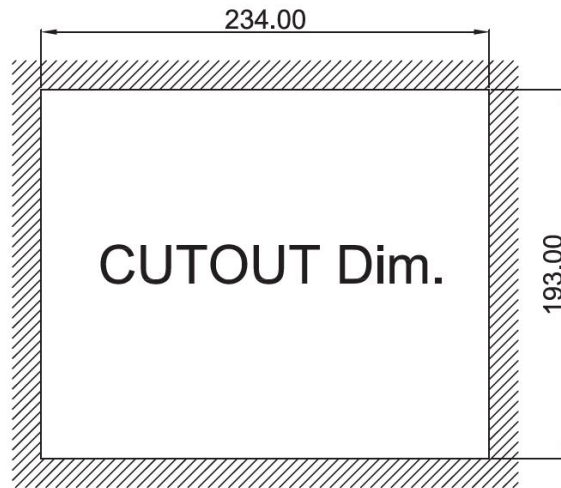
6 Software

See the software manuals for detailed description of the handling and the calibration procedures. These are different depending of the refiner type.

7 Outline drawings



Cutout drawing.



8 Contact

Sales, development, production and service.

Dametric AB

Jägerhorns Väg 19, 141 75 Kungens Kurva, Sweden

Phone: +46-8 556 477 00

e-mail: service@dametric.se

Web site: www.dametric.se

dametric 

Valmet 